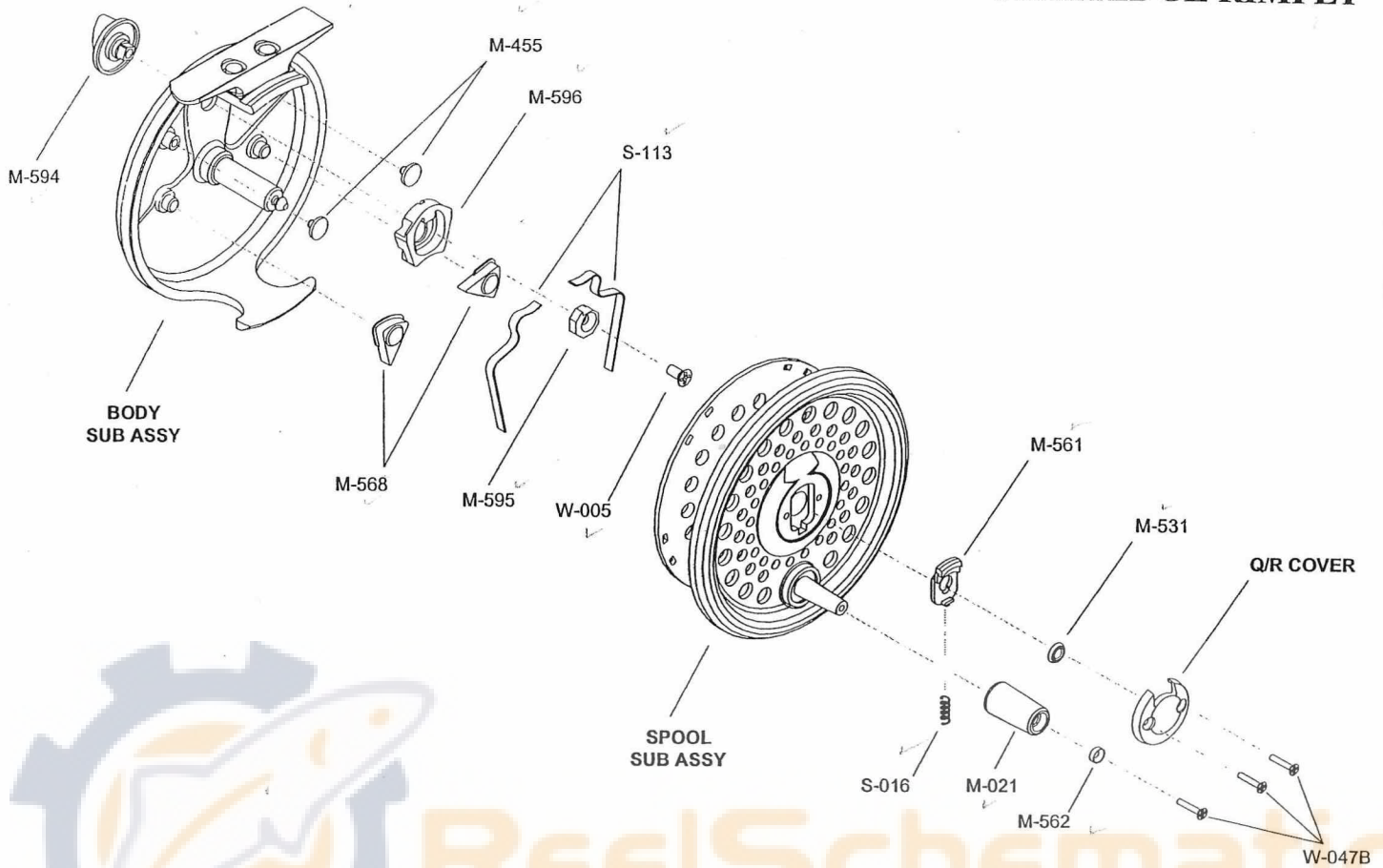


RimFly 2000

ORVIS CLEARWATER PARTRIDGE RIMFLY



RimFly 2000 / Orvis Clearwater

PRODUCT	RimFly 2055	RimFly 2075	RimFly 2095
PRODUCT NUMBER	780	781	782
SPARE SPOOL No.	7780	7781	7782
SPOOL SUB-ASSY	U750Grey	U751Grey	U752Grey
SPOOL FRONT	C484	C485	C486
SPOOL REAR	M598	M599	M600
Q/R COVER	M560		
BODY SUB-ASSY	U823	U824	U825
BODY	C522	C523	C524
CENTRE SPINDLE	T350	T230	T231
FOOT	M586		

Clearwater 3/4	Clearwater 5/6	Clearwater 7/8
524	525	526
5524	5525	5526
U750Grey	U751Grey	U752Grey
C484	C485	C486
M598	M599	M600
M560ORVIS		
U843	U844	U845
C522	C523	C524
T350	T230	T231
C434		

Partridge RimFly – Product No's 880, 881, 882

identical to BFR RimFly, with exception of body label.

Spare spools are also identical to RimFly 2000 (i.e. 7780, 7781, 7782)